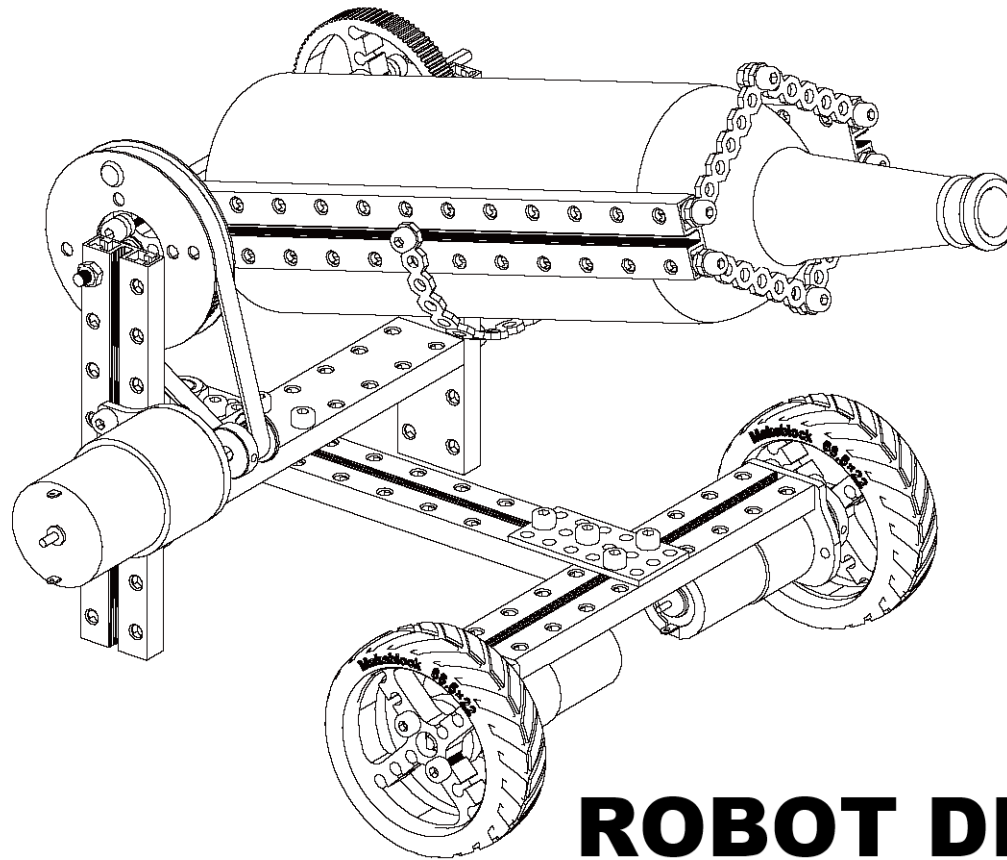


Makeblock

CONSTRUCT YOUR DREAMS

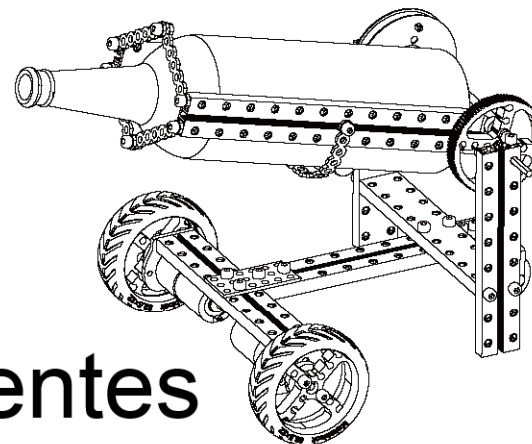
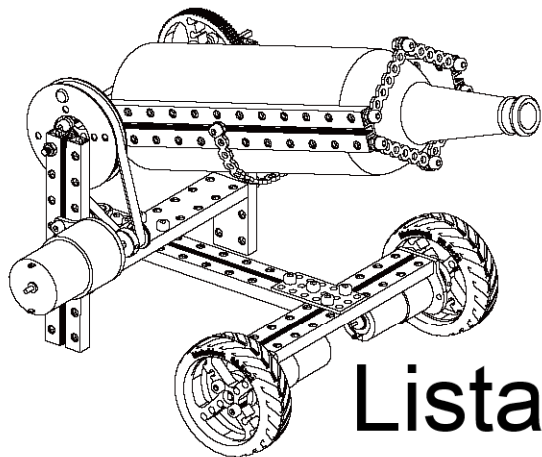


Válido para

- Advanced kit
- Ultimate kit
- Lab kit

GUIA PARA CONSTRUIR

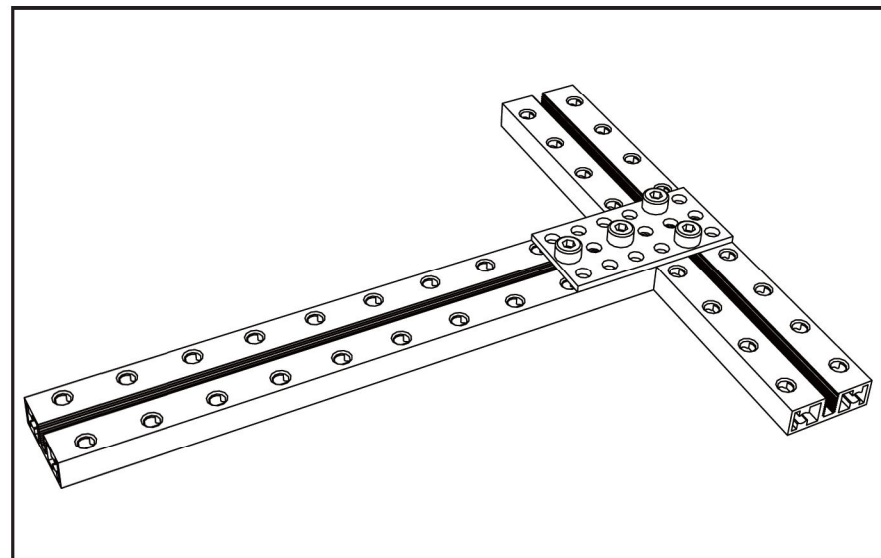
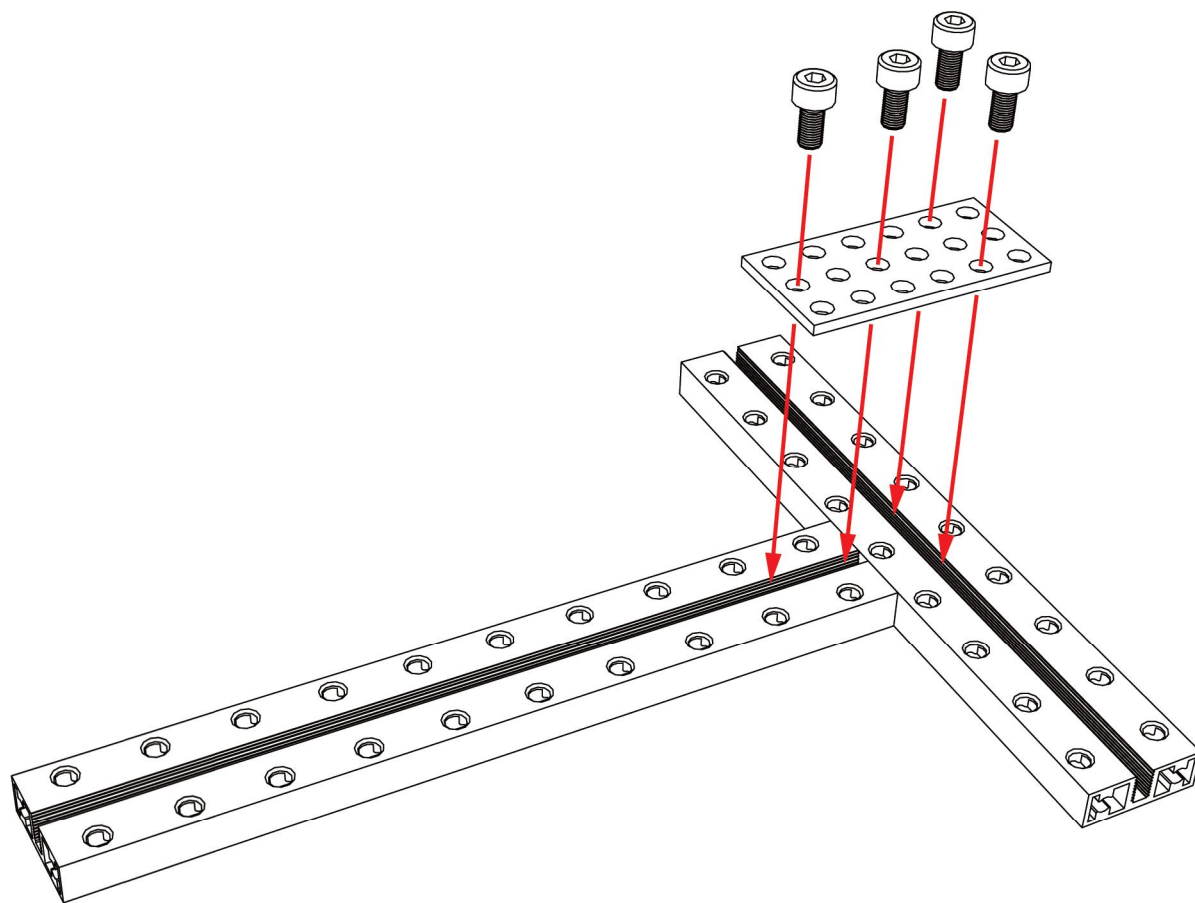
ROBOT DISPENSADOR



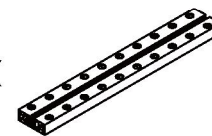
Listado de componentes

| | | | | | | | | |
|----|--|-----------------|----|--|------------------------|-----|--|-------------------------|
| 2x | | Viga 0824-192 | 2x | | Disco rueda trans. 90 | 2x | | Conector eje |
| 1x | | Viga 0824-160 | 2x | | Soporte motor DC 25 | 4x | | Collar de eje |
| 2x | | Viga 0824-144 | 1x | | Soporte motor DC 37 | 1x | | Eje roscado 4x31 |
| 2x | | Viga 0824-128 | 2x | | Motor DC 25 | 3x | | Rodamiento |
| 1x | | Viga 0824-96 | 1x | | Motor DC 37 | 3x | | Tuerca M4 |
| 3x | | Viga recortable | 1x | | Rueda giratoria | 19x | | Tornillo 4x8 |
| 1x | | Placa 3x6 | 1x | | Tuerca M8 | 14x | | Tornillo 4x14 |
| 1x | | Soporte P3 | 2x | | Rueda | 4x | | Tornillo 4x22 |
| 4x | | Rueda trans. 90 | 1x | | Correa transmisión 123 | 6x | | Tornillo estrella 3x8 |
| 1x | | Rueda trans. 18 | 1x | | Eje D 4x50 | 2x | | Tornillo sin cabeza 3x5 |
| | | | | | | 2x | | Remache plástico 4120 |
| | | | | | | 15x | | Separador plástico 2 |

1

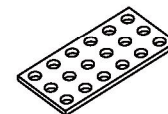


2x



Viga 0824-160

1x



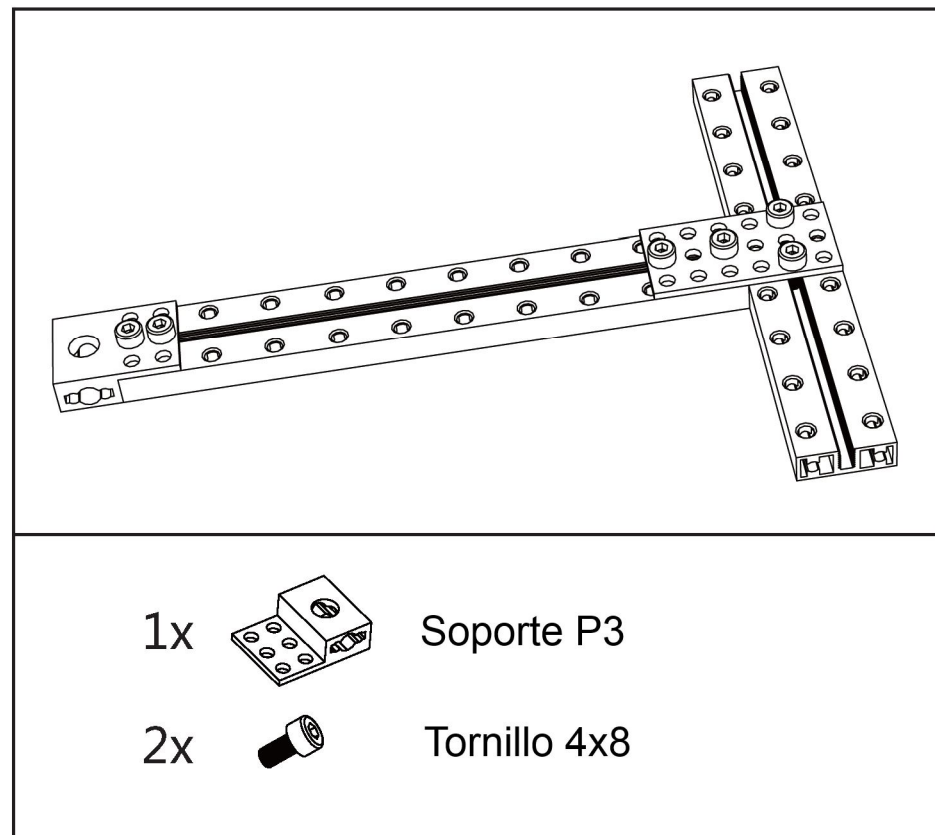
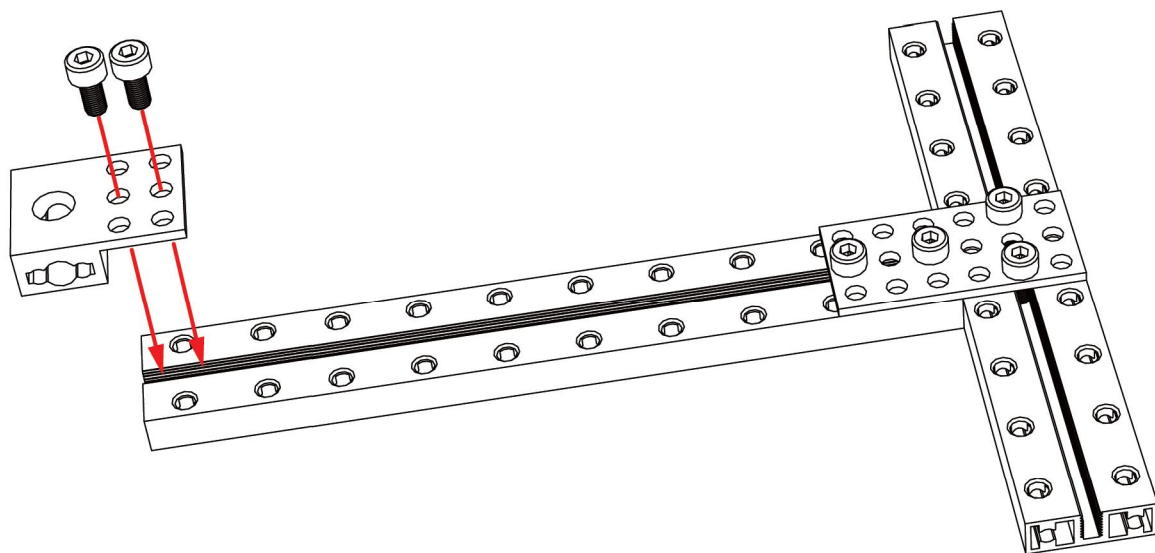
Placa 3x6

4x

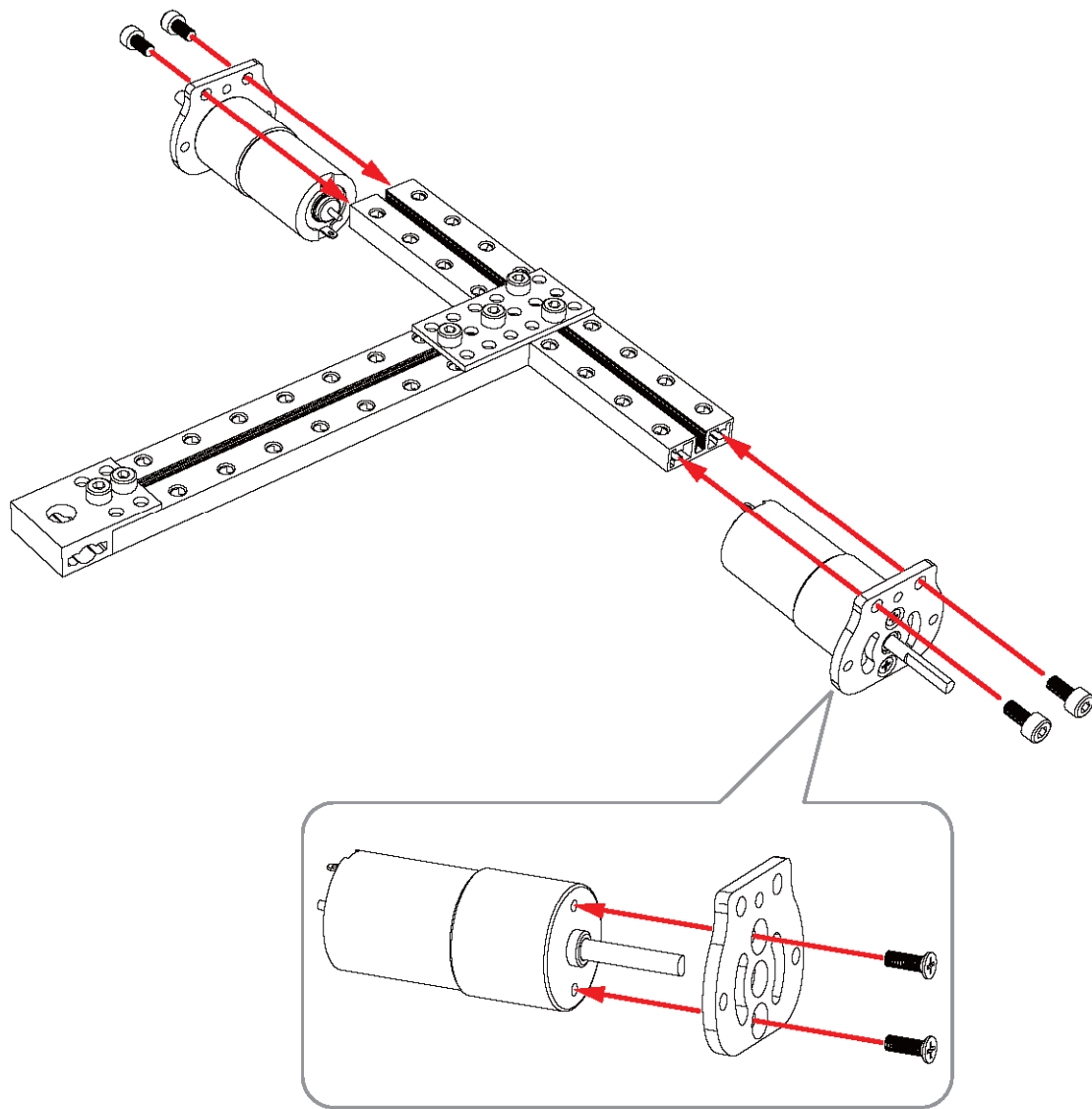


Tornillo 4x8

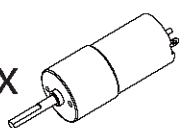



2



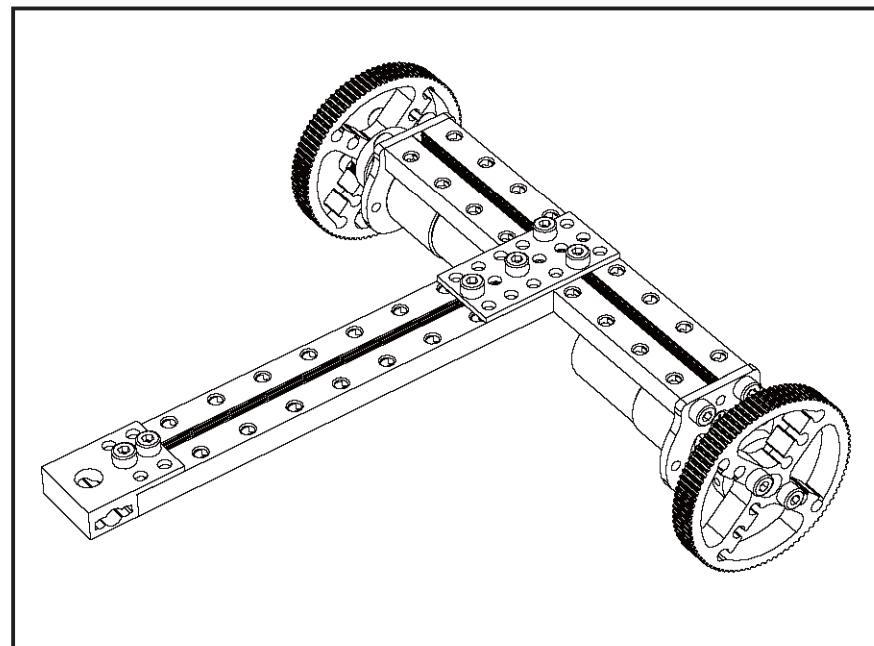
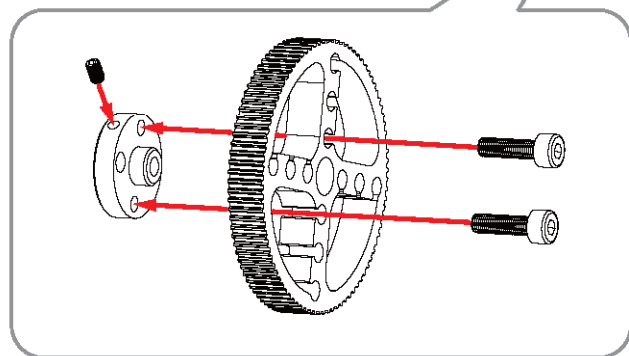
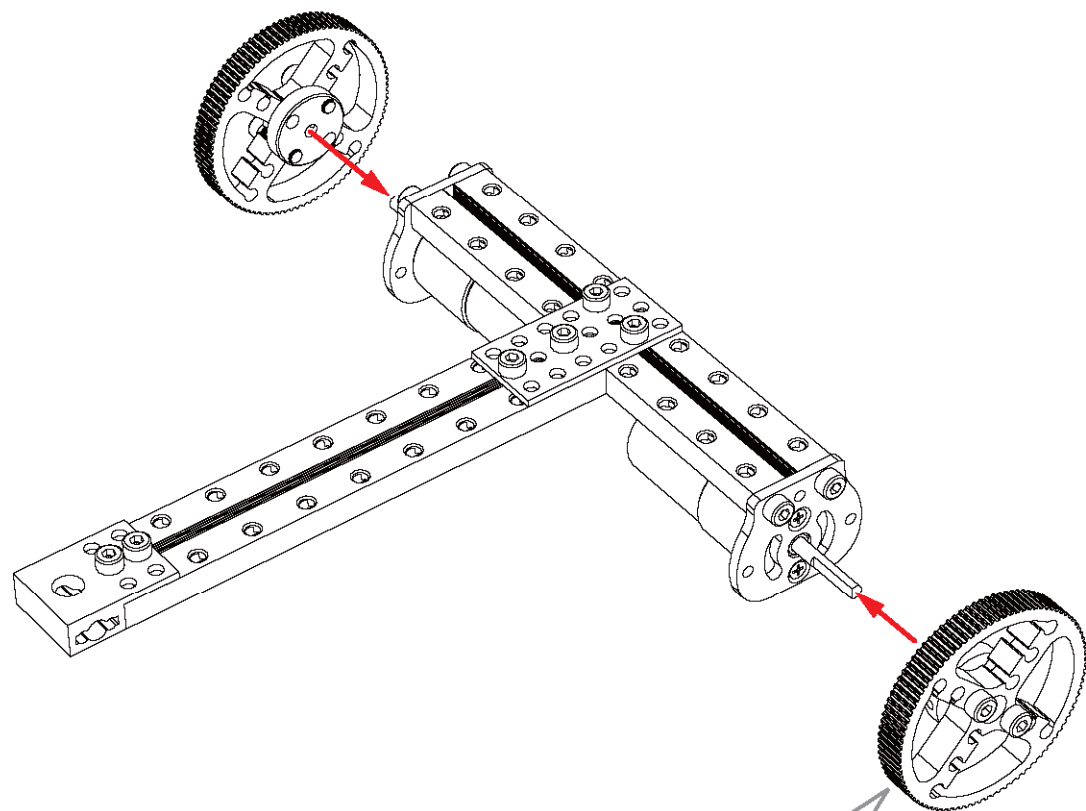
3



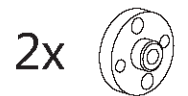
This diagram shows the fully assembled mechanical assembly. It consists of two DC motors mounted on motor support plates, which are secured to a central cross-shaped metal frame using four screws. The frame is made of two long horizontal bars and two vertical bars.

| | | |
|----|---|-----------------------|
| 2x |  | Motor DC 25 |
| 2x |  | Soporte motor DC 25 |
| 4x |  | Tornillo 4x8 |
| 4x |  | Tornillo estrella 3x8 |

4



Rueda trans. 90



Conector eje

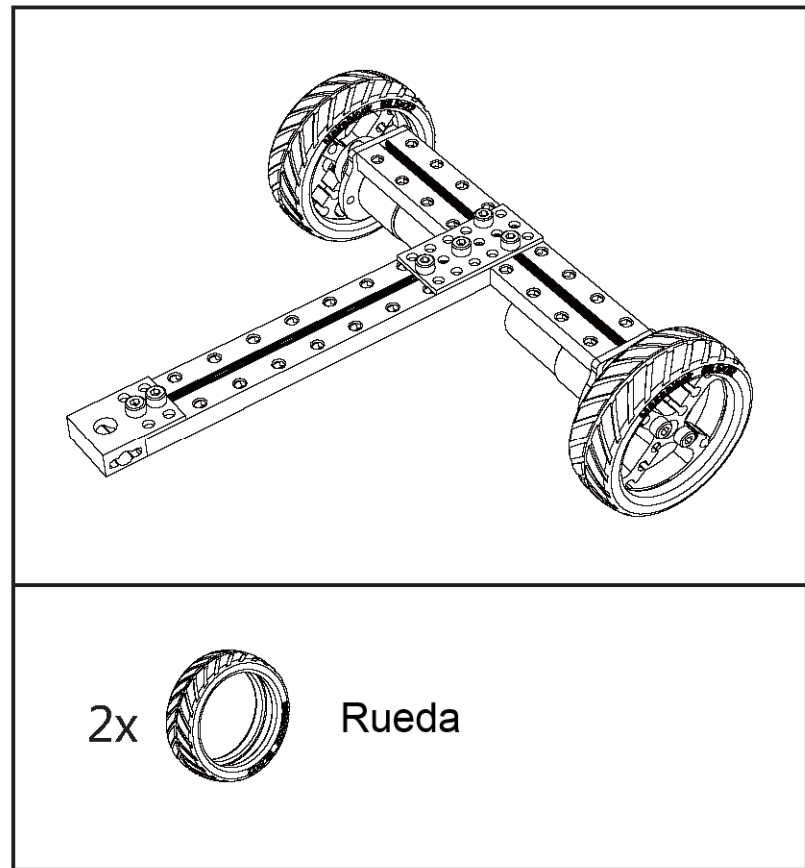
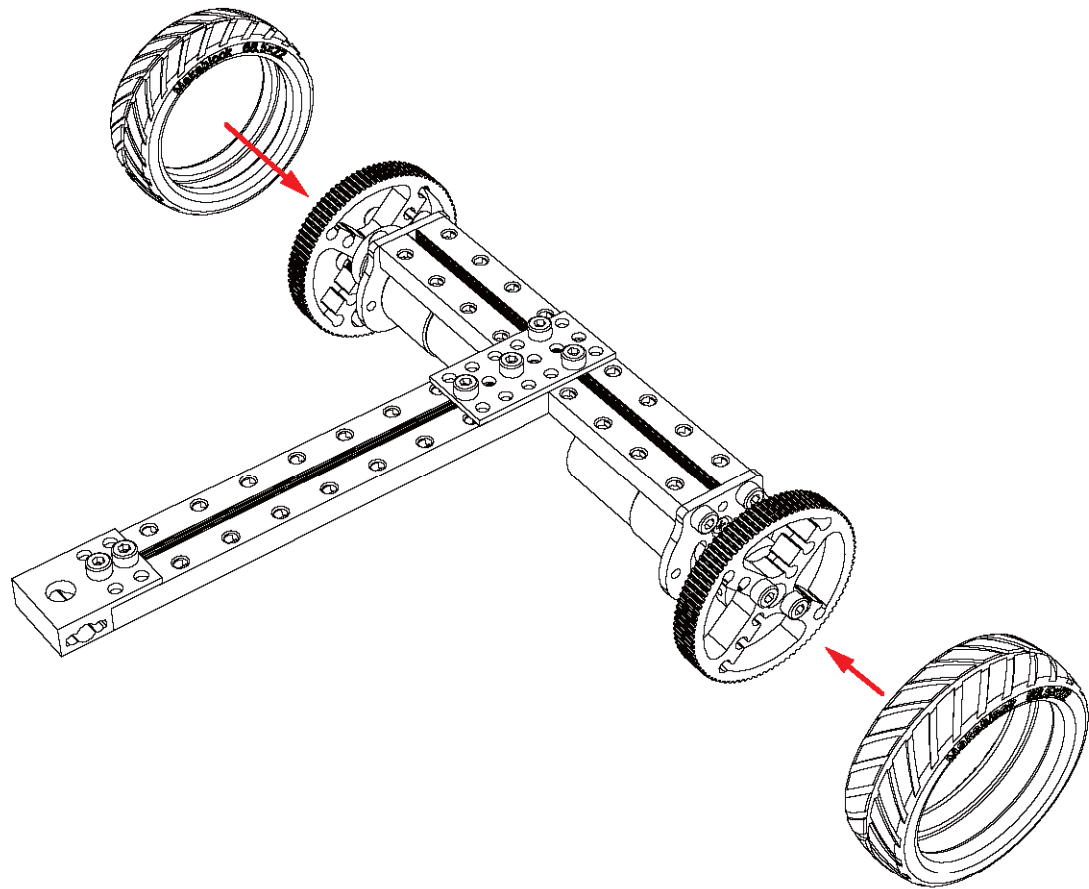


Tornillo 4x14

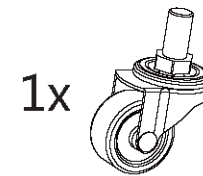
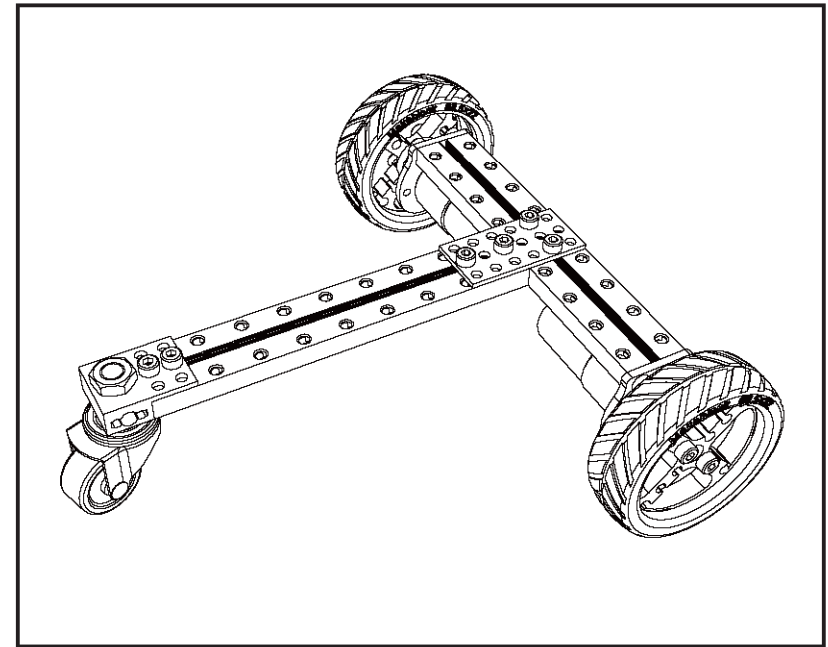
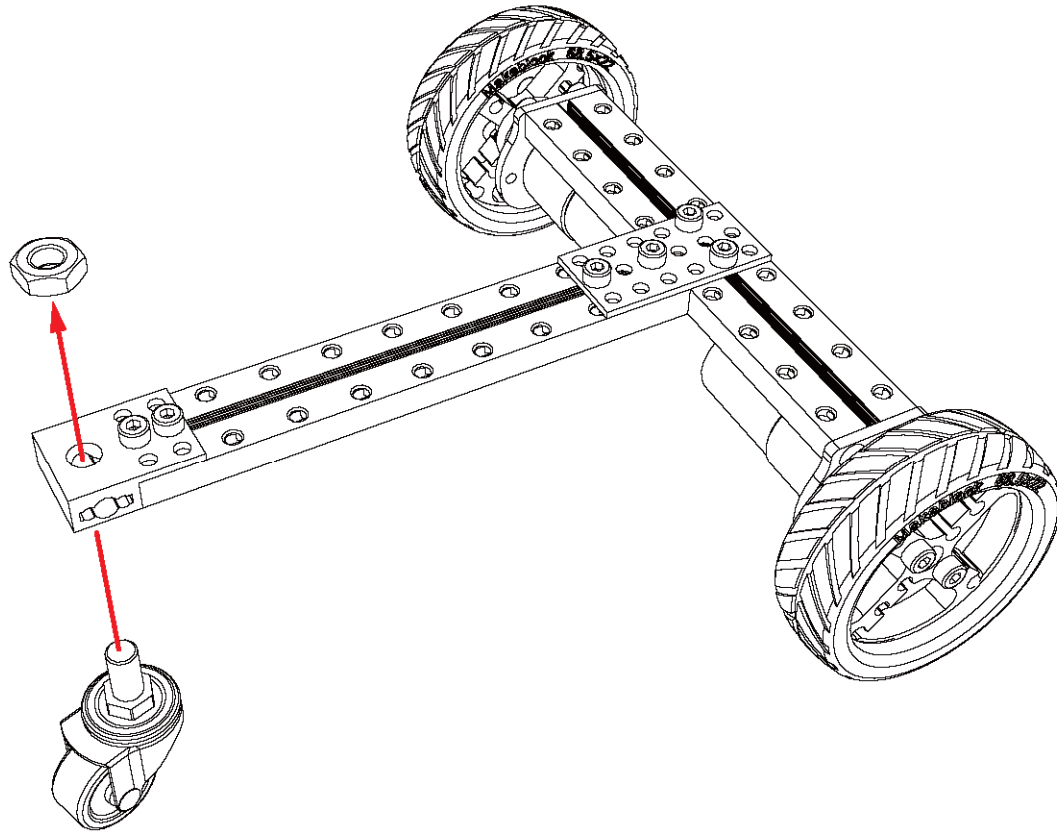


Tornillo sin cabeza 3x5

5



6

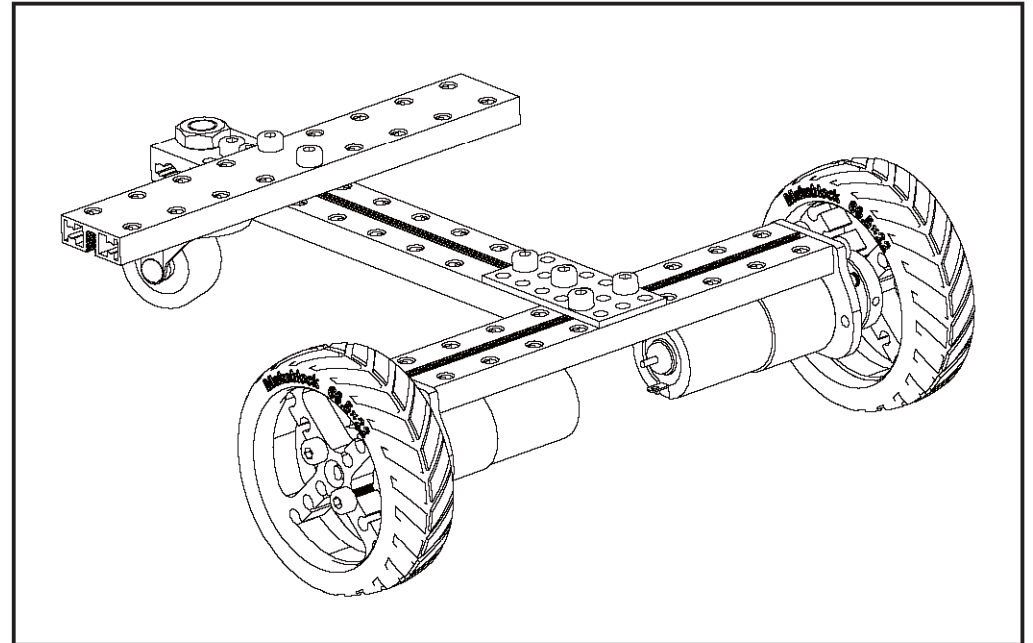
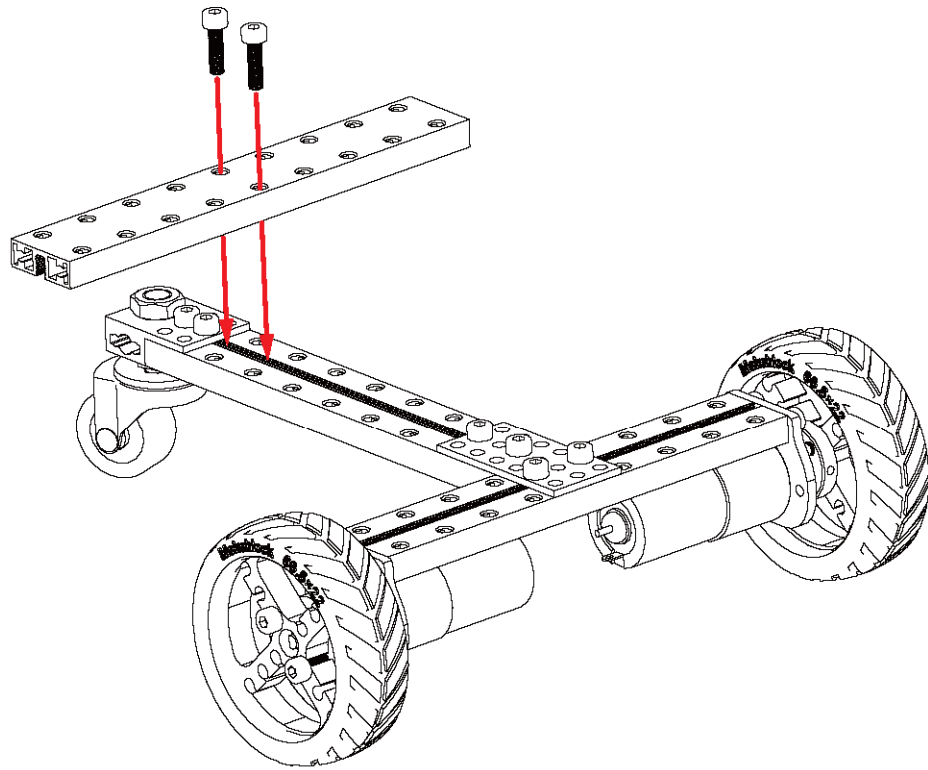


Rueda giratoria

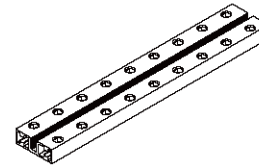


Tuerca M8

7



1x



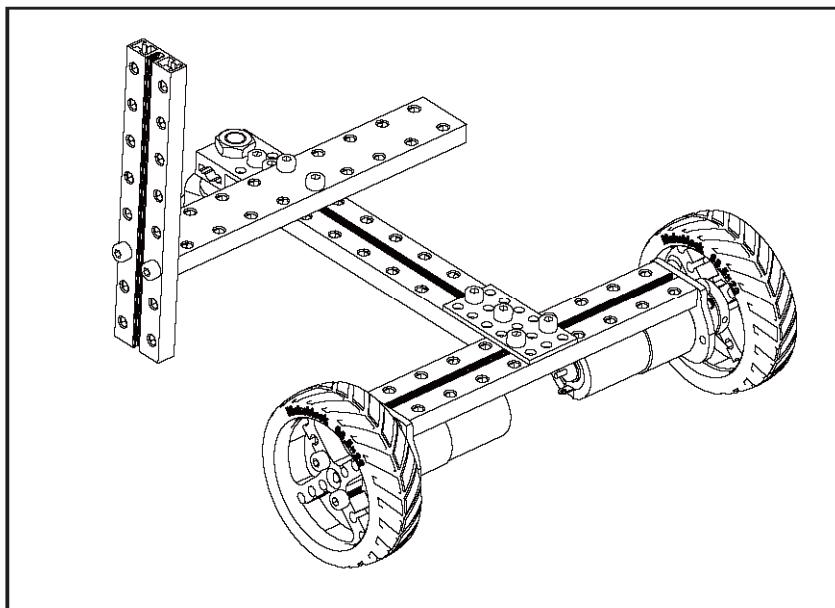
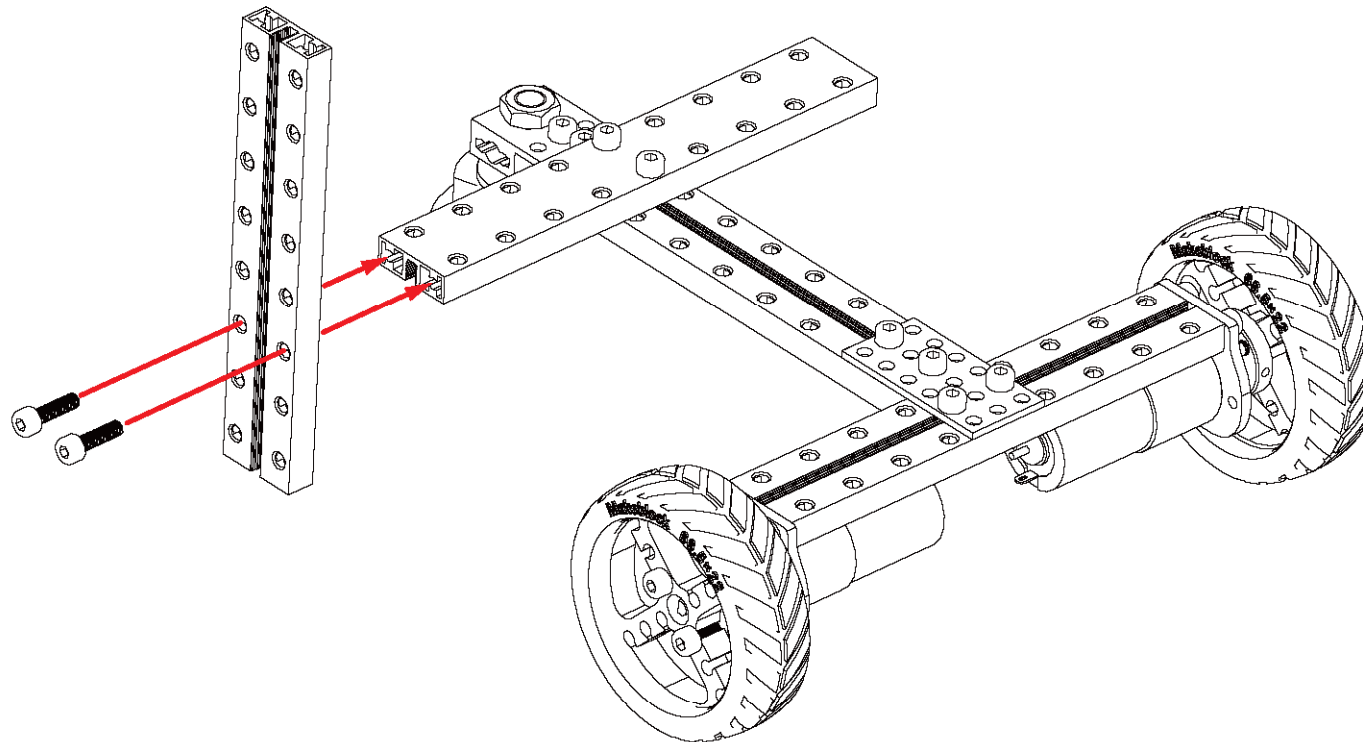
Viga 0824-144

2x

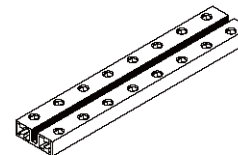


Tornillo 4x14

8



1x



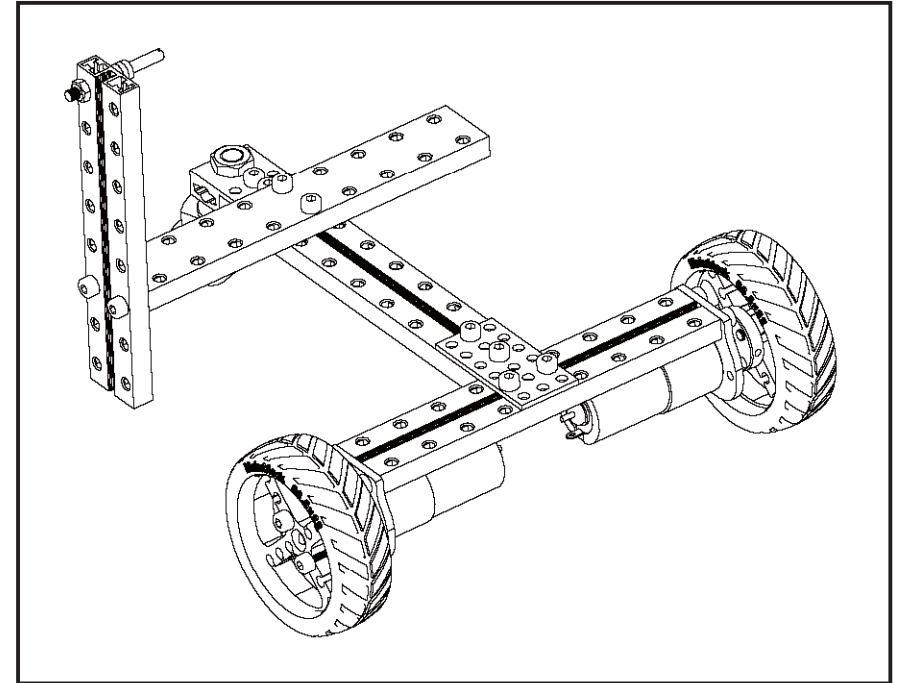
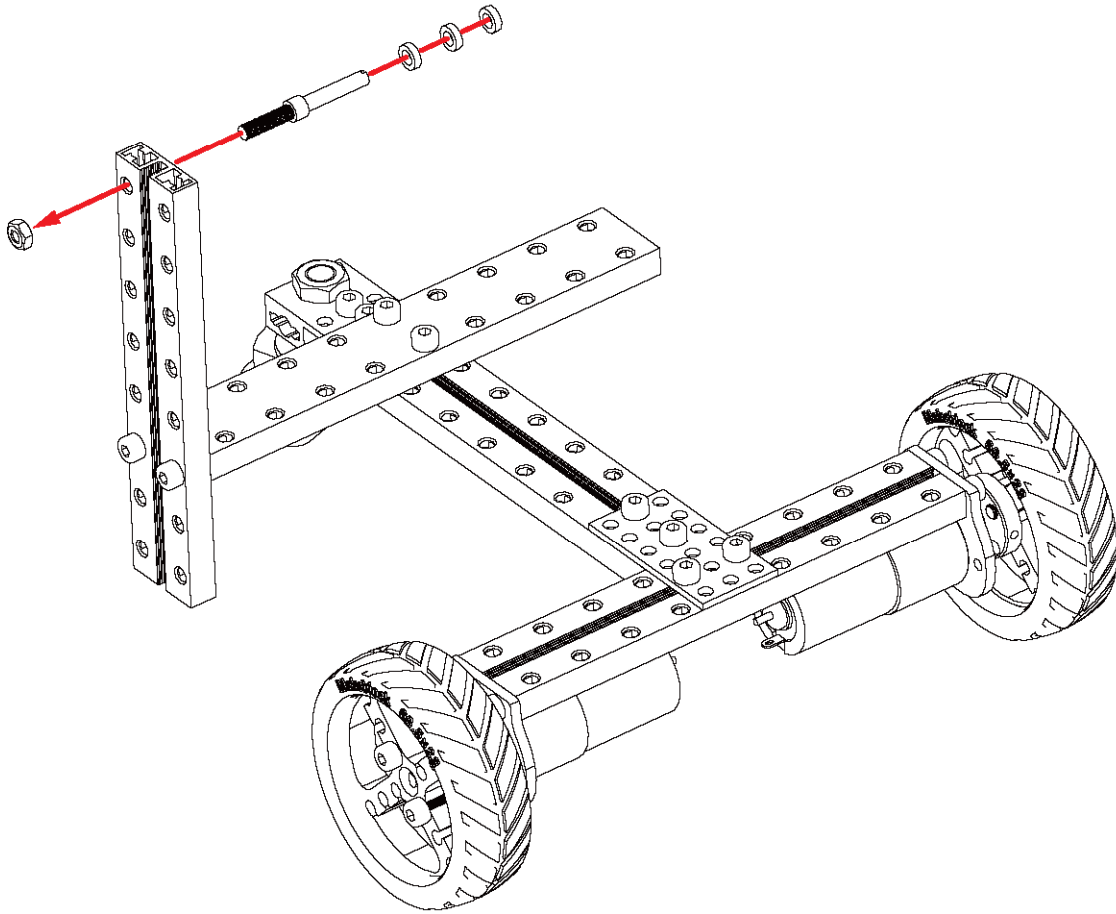
Viga 0824-128

2x



Tornillo 4x14

9



1x



Eje roscado

1x



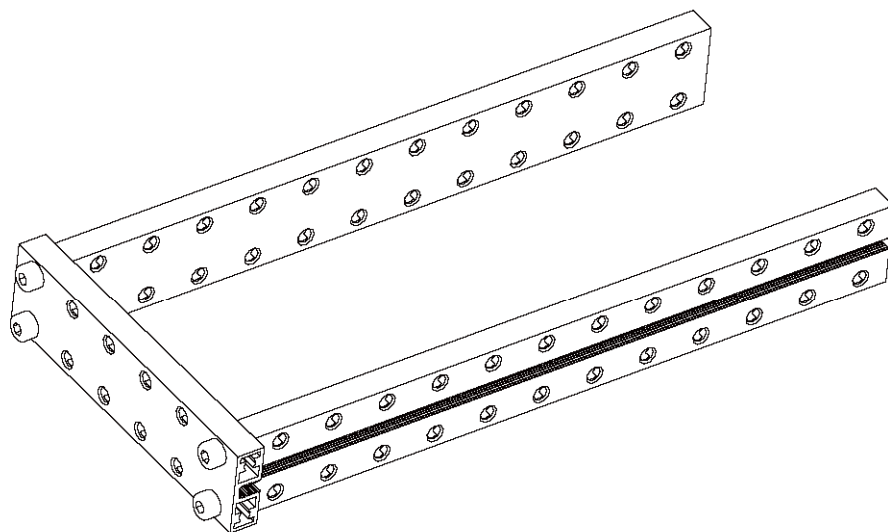
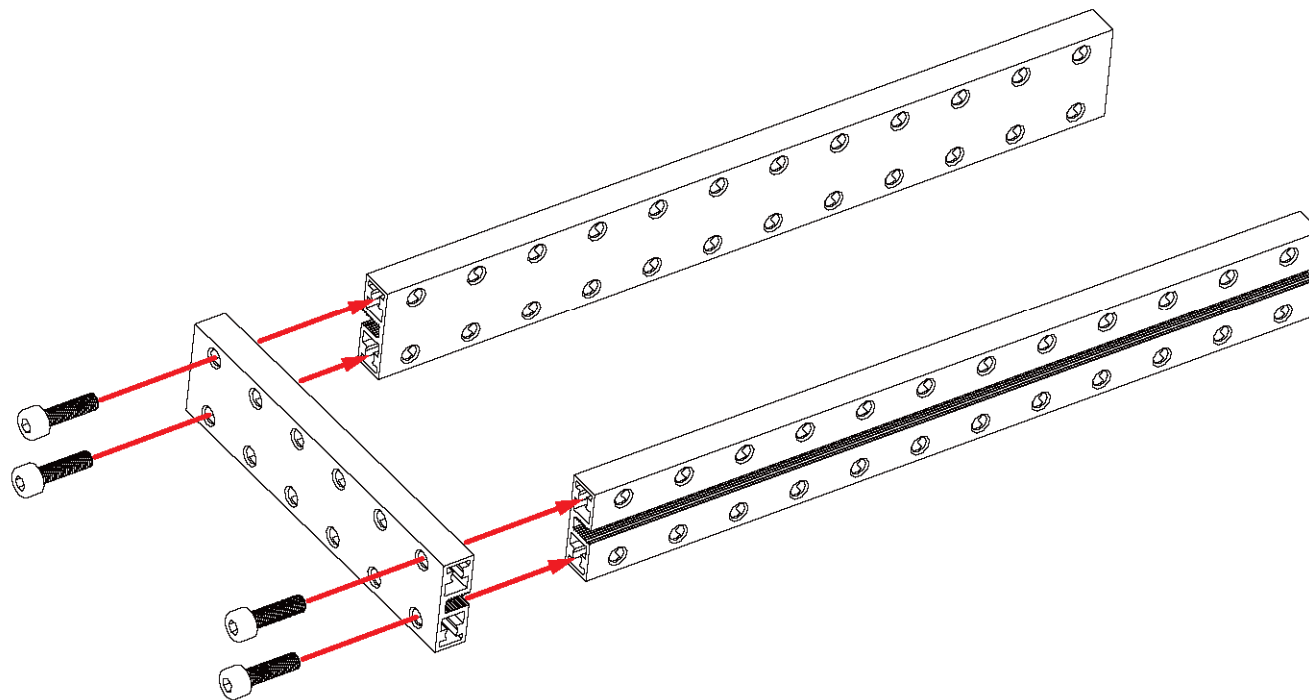
Tuerca M4

3x

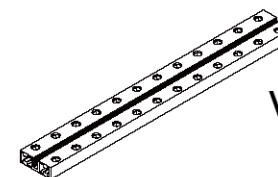


Separador plástico 2

10

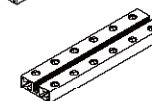


2x



Viga 0824-192

1x



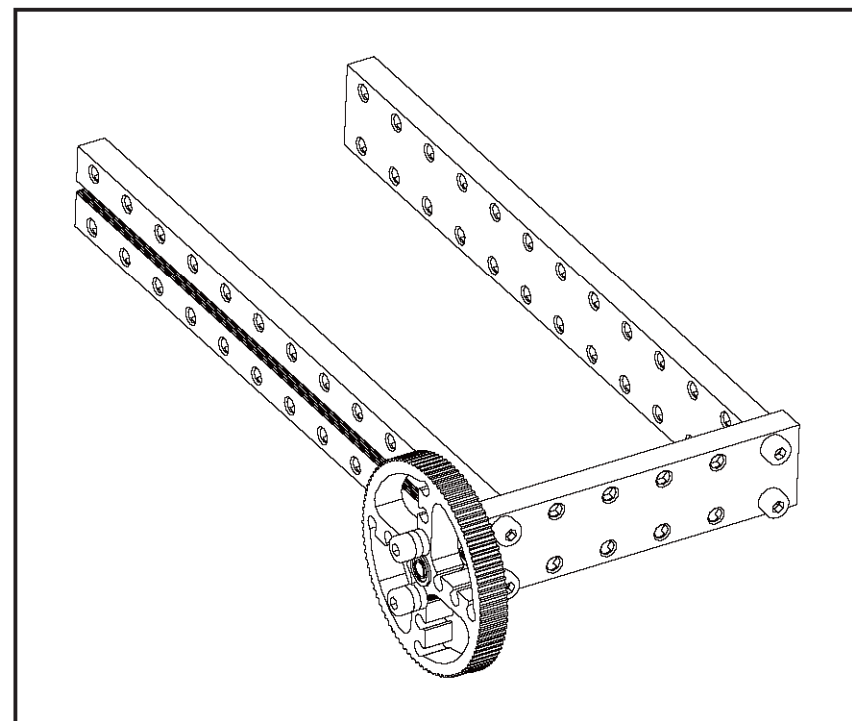
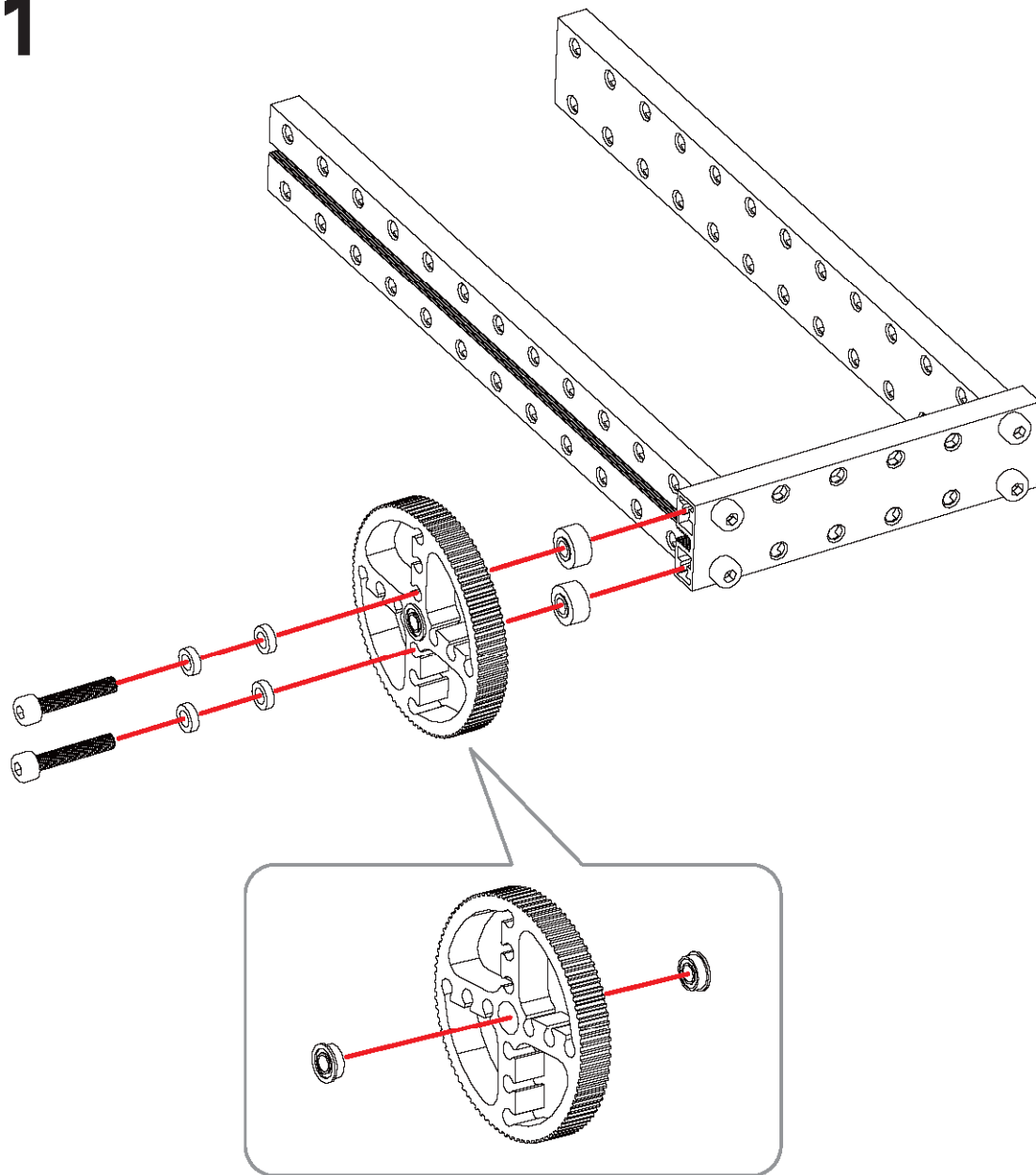
Viga 0824-96






4x



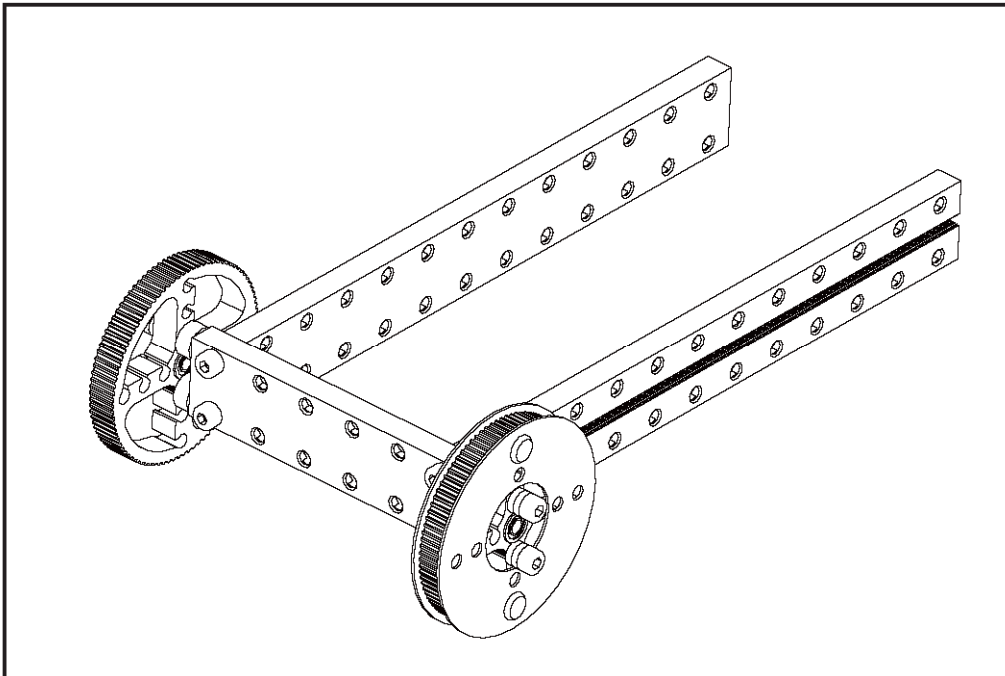
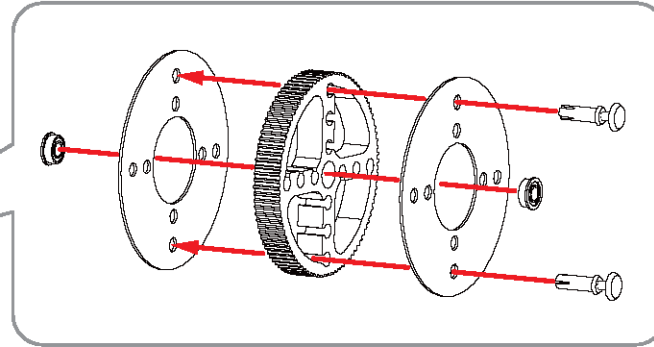
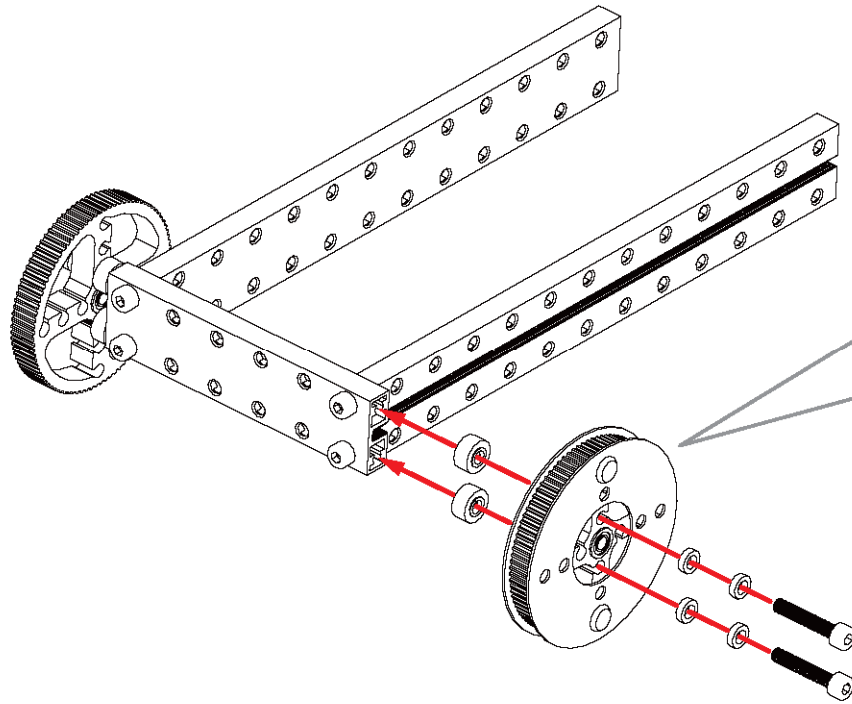
Tornillo 4x14

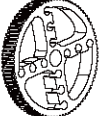




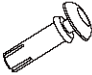

11



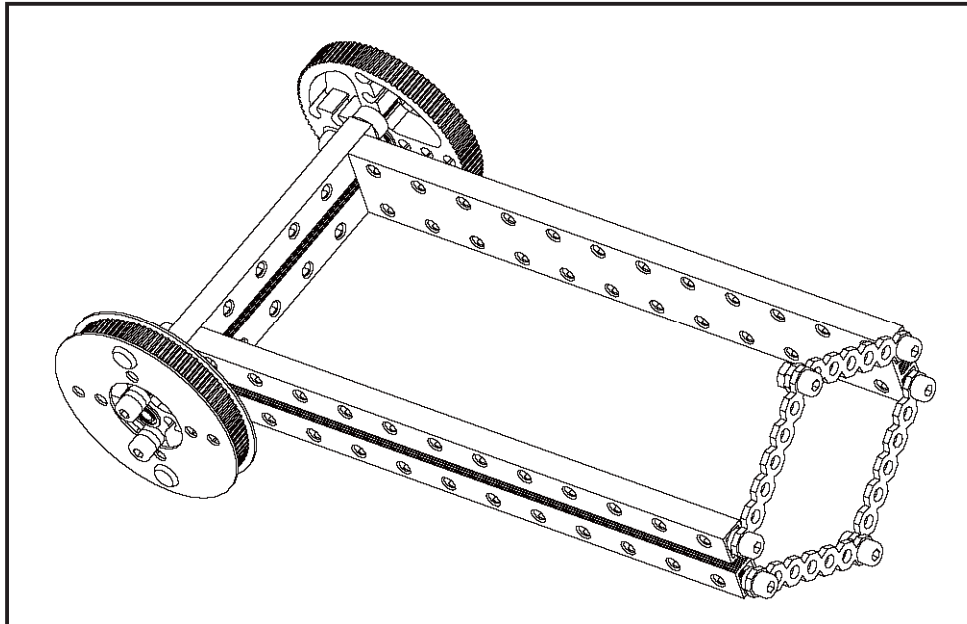
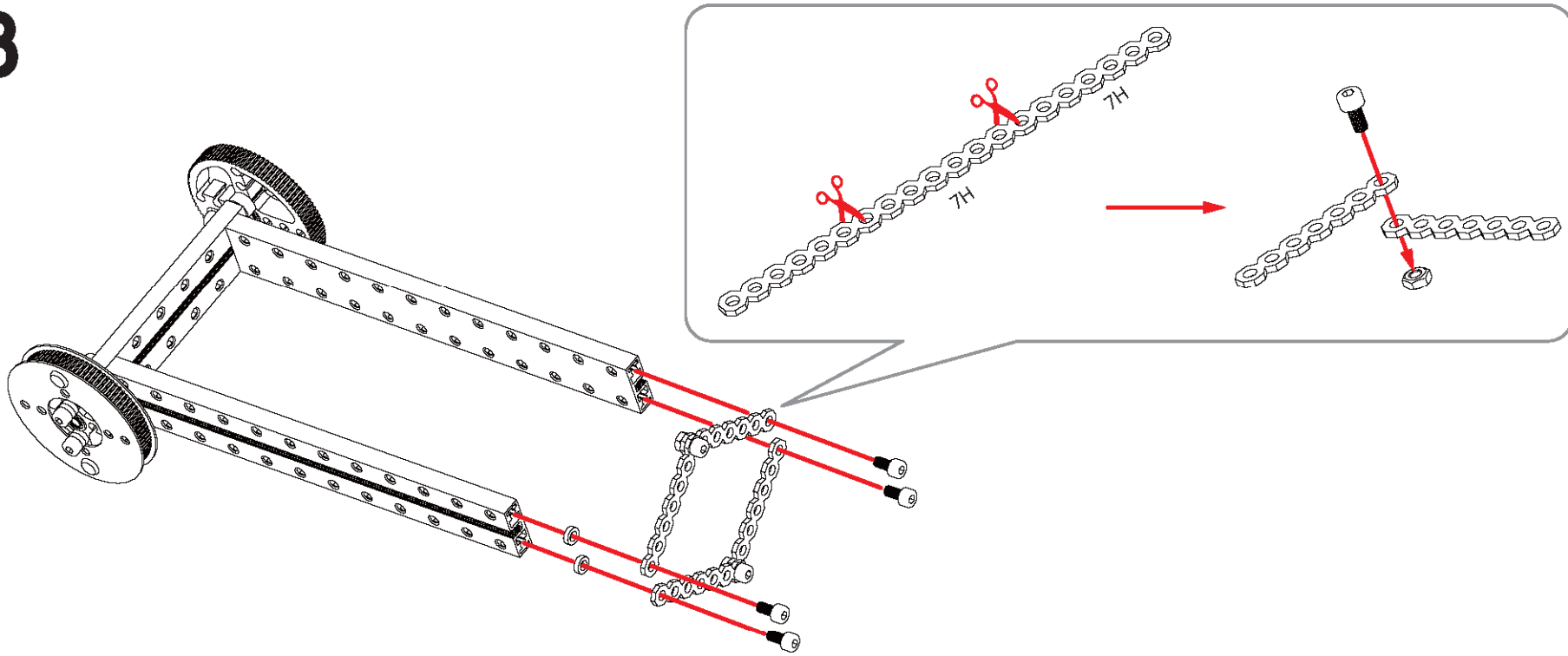
- | | | |
|----|---|----------------------|
| 1x |  | Rueda trans. 90 |
| 2x |  | Rodamiento |
| 2x |  | Tornillo 4x22 |
| 4x |  | Separador plástico 2 |
| 2x |  | Collar de eje |


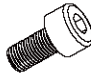


12



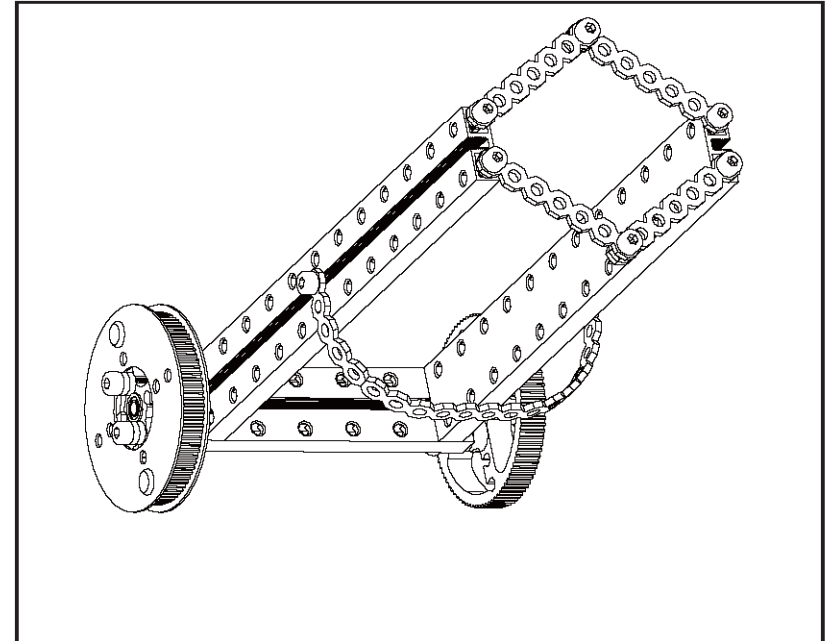
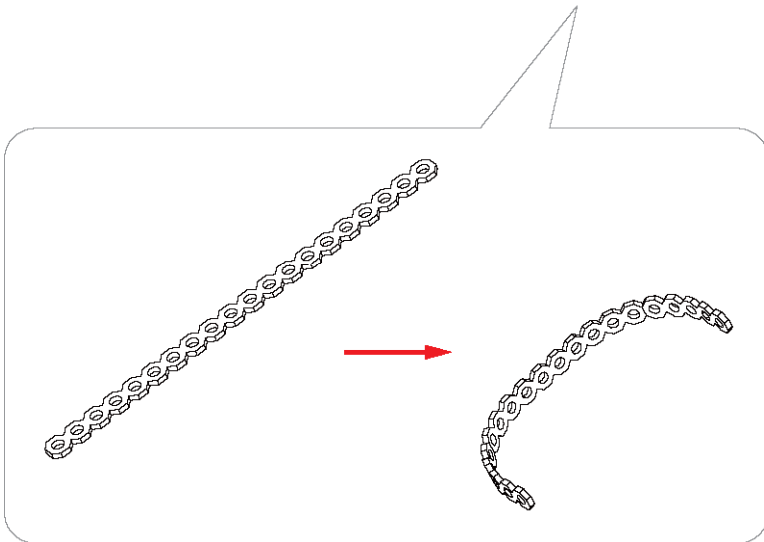
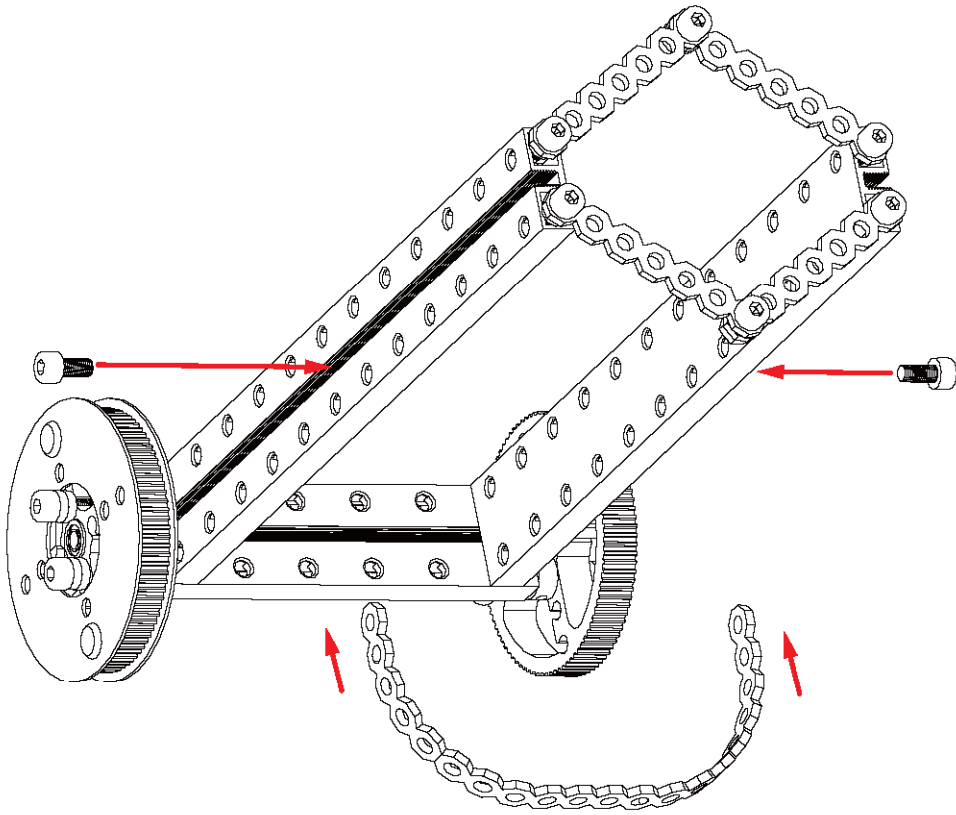
- | | | |
|----|---|-----------------------|
| 1x |  | Rueda trans. 90 |
| 2x |  | Disco rueda trans. 90 |
| 2x |  | Collar de eje |
| 2x |  | Rodamiento |
| 2x |  | Tornillo 4x22 |
| 2x |  | Remache plástico 4120 |
| 4x |  | Separador plástico 2 |

13



- | | | |
|----|---|----------------------|
| 2x |  | Viga recortable |
| 6x |  | Tornillo 4x8 |
| 2x |  | Tuerca M4 |
| 2x |  | Separador plástico 2 |

14



1x

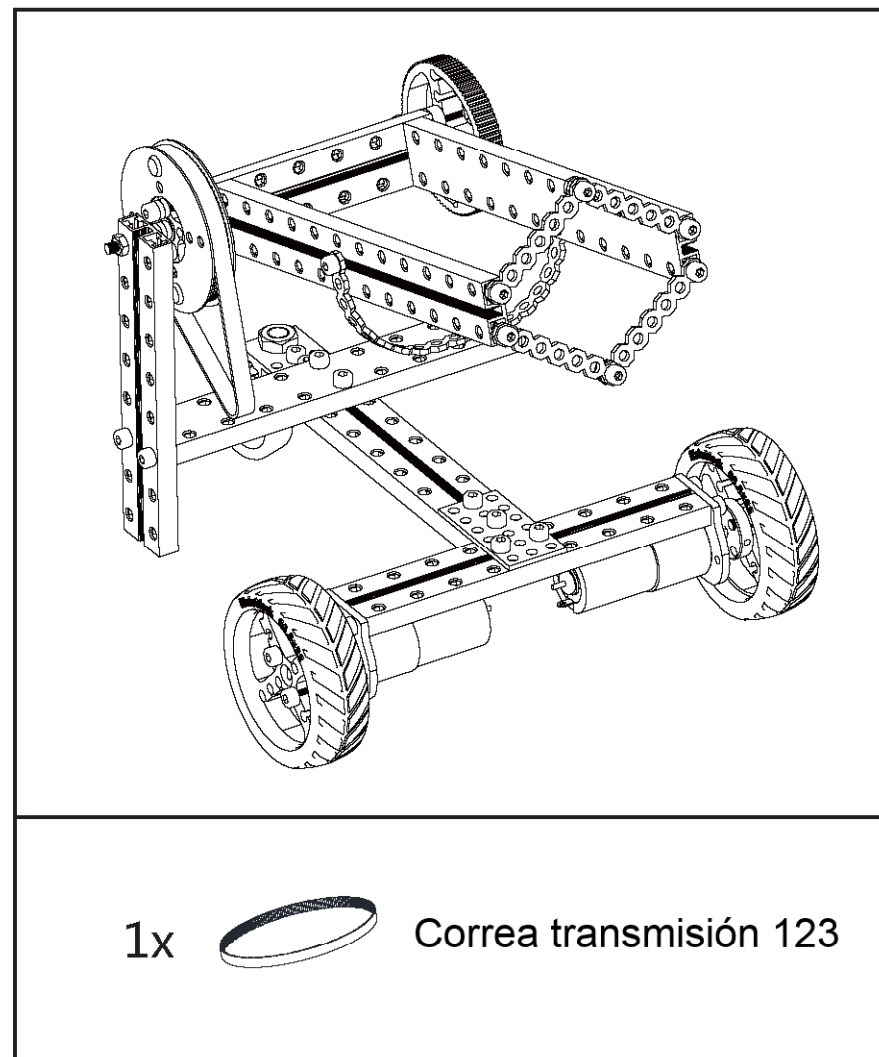
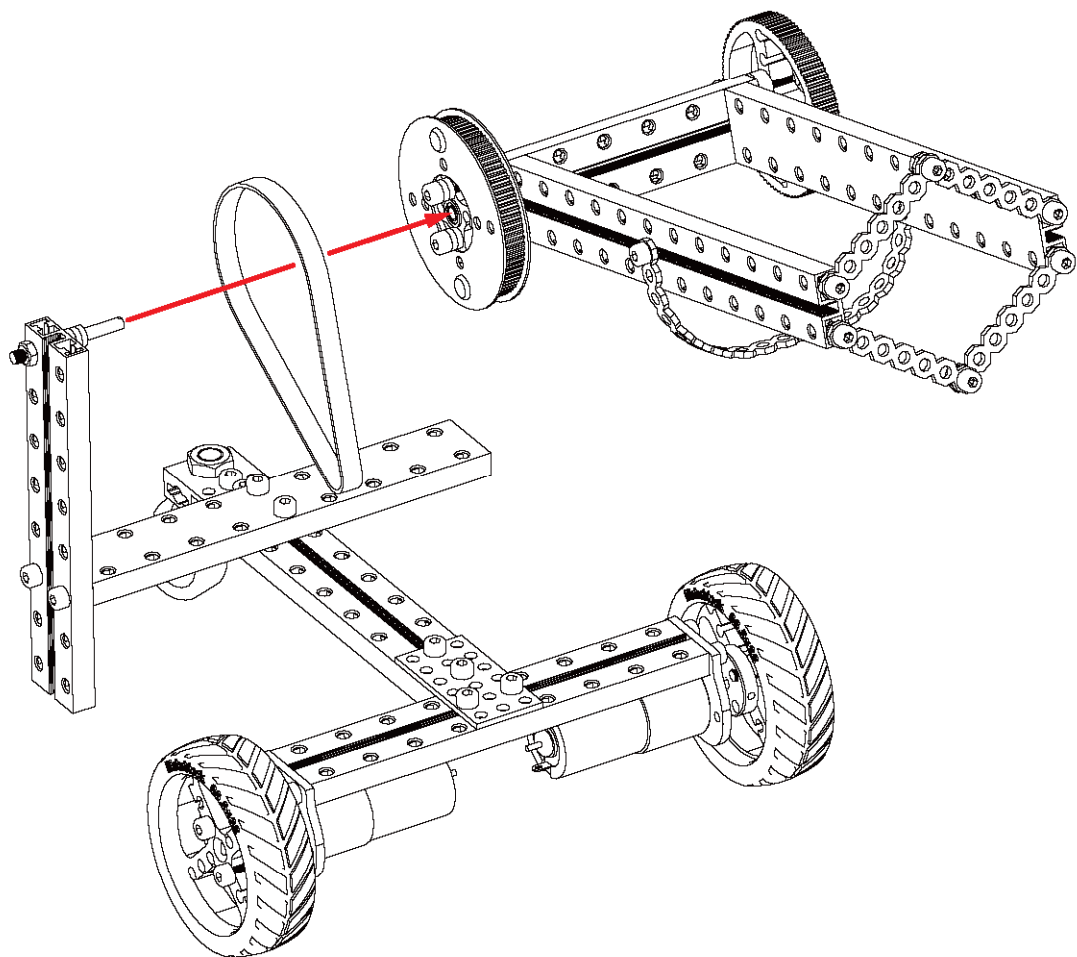


Viga recortable

2x



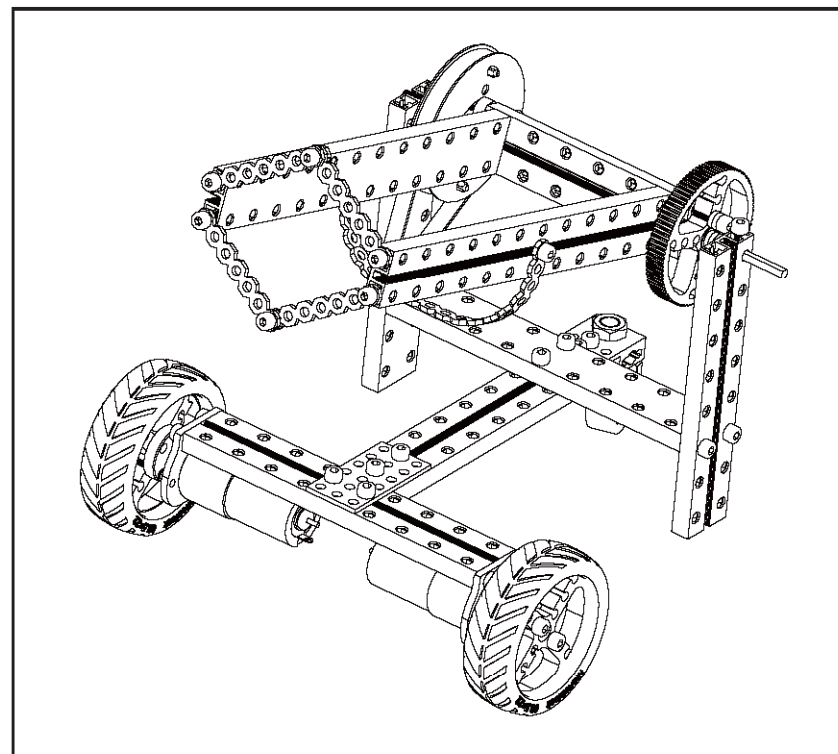
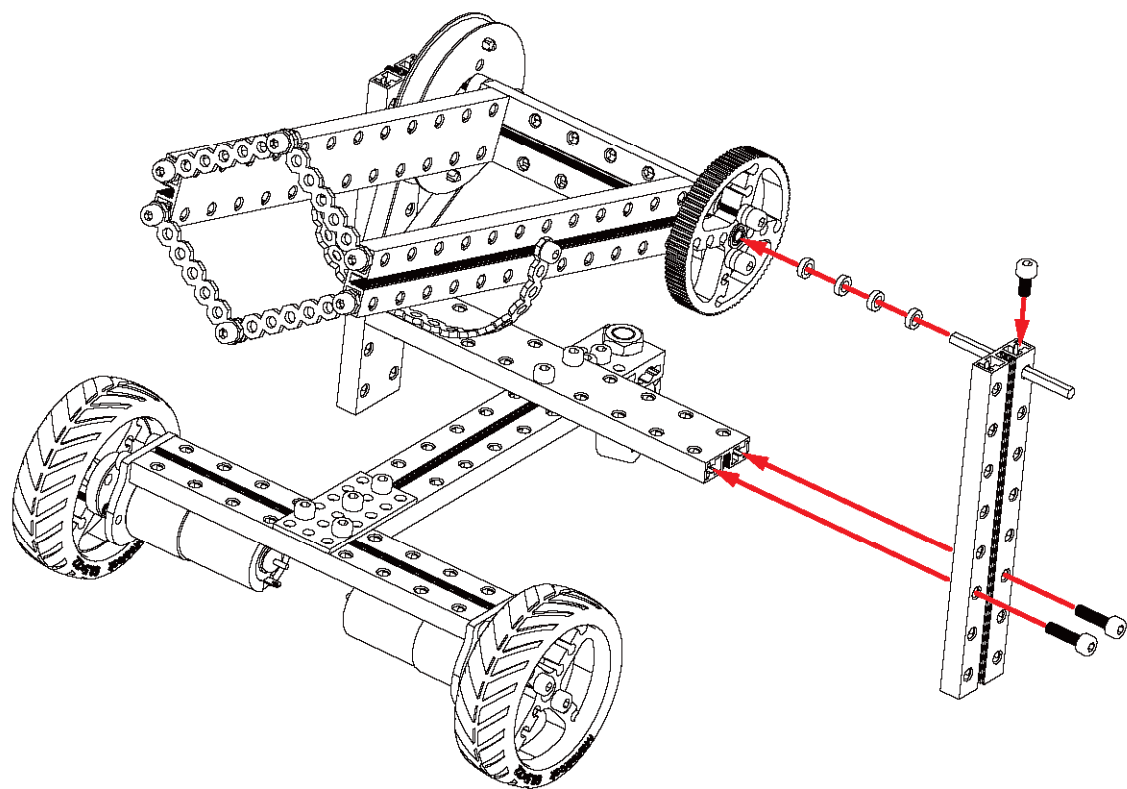
Tornillo 4x8



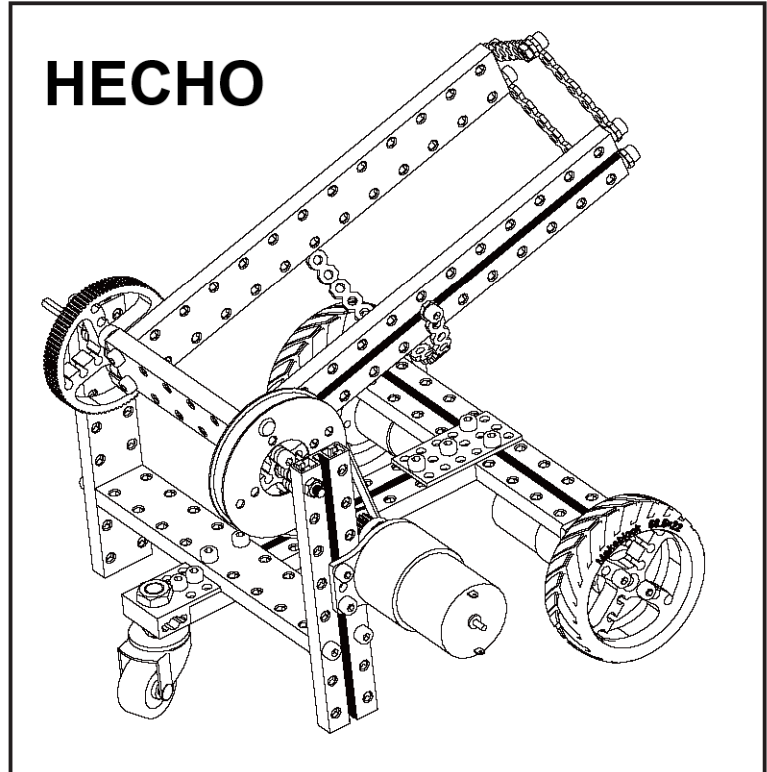
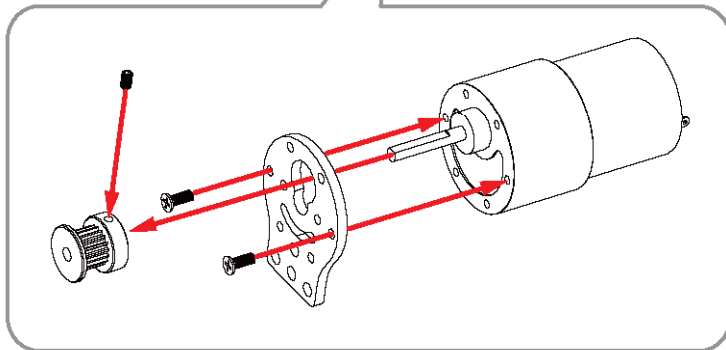
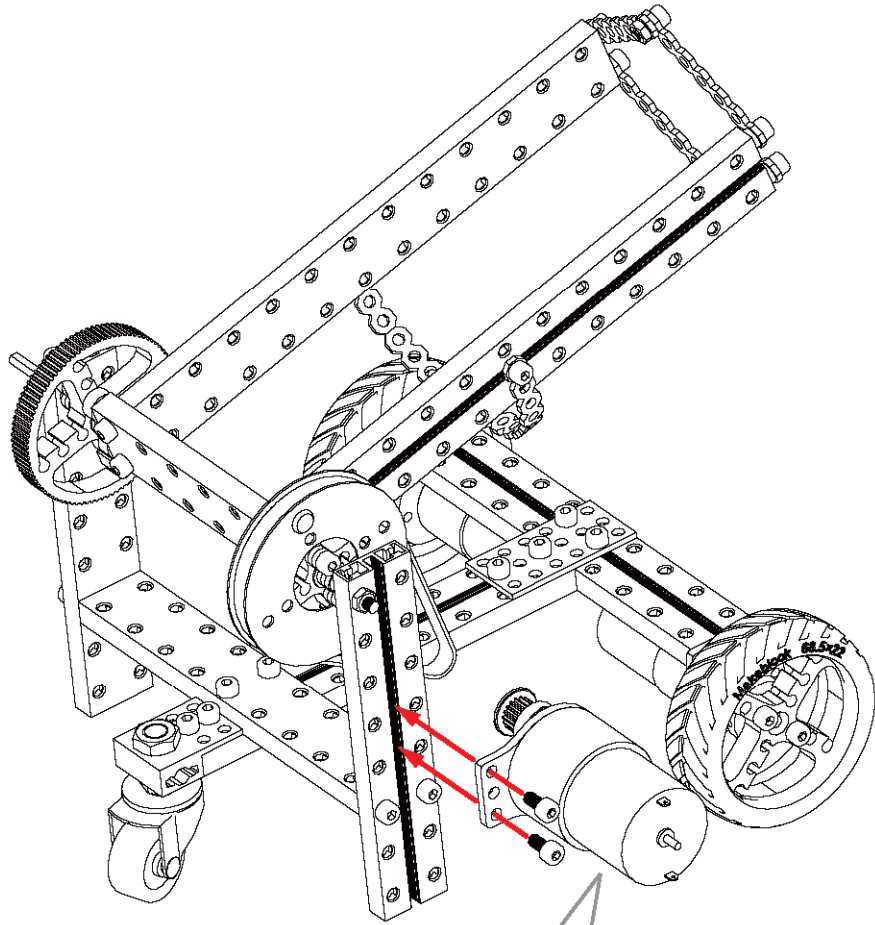
1x

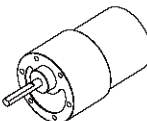
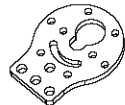
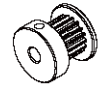




Correa transmisión 123



- -
 -
 -
 -
- | | | |
|----|--|----------------------|
| 1x | | Viga 0824-128 |
| 1x | | Eje D 4x50 |
| 4x | | Separador plástico 2 |
| 1x | | Tornillo 4x8 |
| 2x | | Tornillo 4x14 |



- 2x  Motor DC 37
- 2x  Soporte motor DC 37
- 2x  Rueda trans. 18
- 2x  Tornillo estrella 3x8
- 2x  Tornillo sin cabeza 3x5